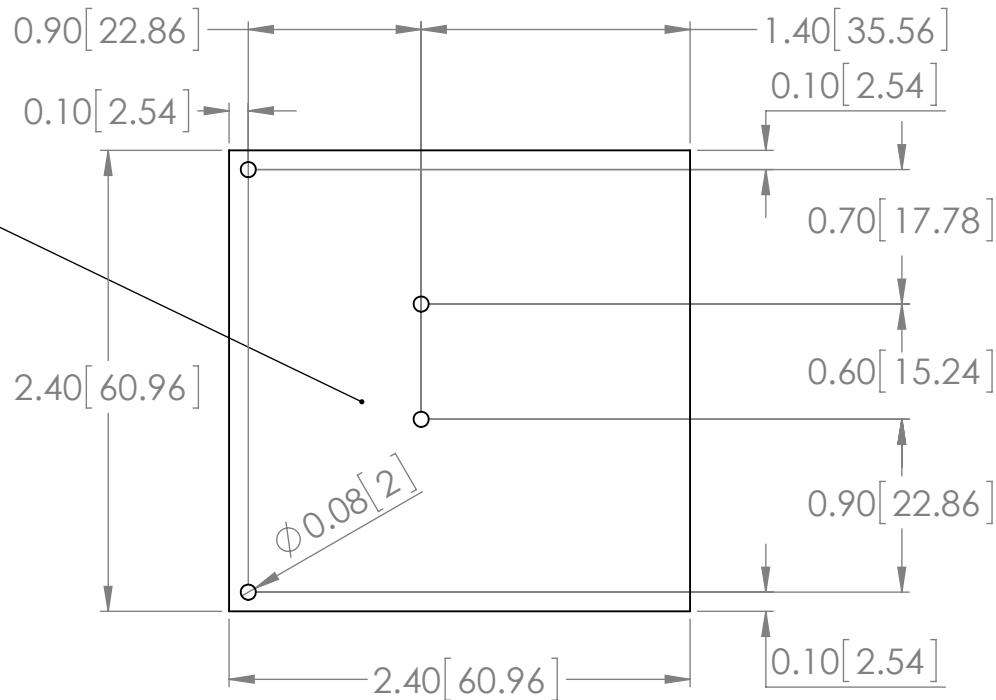
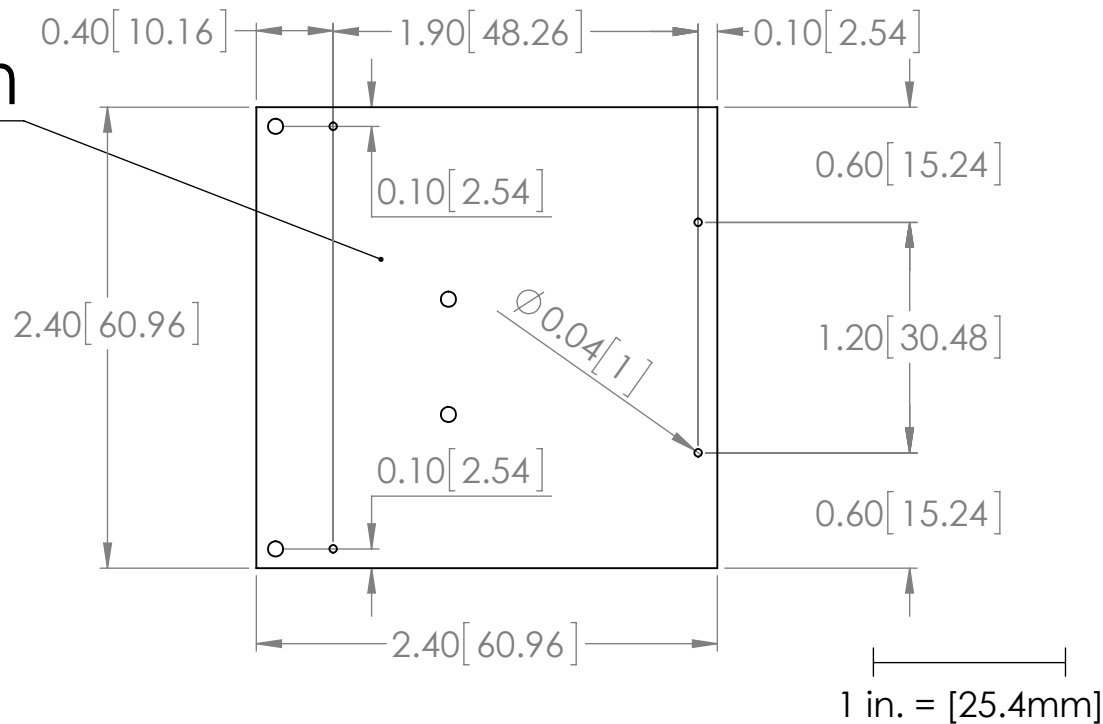


Top



Bottom



## NOTES:

### Dimension:

Dimensions are given in inches, as well as [millimeters] in an inch[millimeter] format.

### Hole Dimension:

The bigger holes have a 0.079[2.00] diameter for the M2 screws to fit in while the smaller holes have a 0.039[1.00] diameter these are for the pins. The pins stabilize the panel before screwing it on a surface.

### Printing:

If you would like to keep the 1:1 scale after printing you should disable any 'fit to page' or 'page scaling' options. If you use Adobe Acrobat Reader, please select 'Page Scaling: none' in the Print dialog box.

TITLE:

Ozeki Stepper Motor Controller

SCALE:

1:1

VERSION:

v1.0.0

SIZE:

A4

SHEET 1 OF 1